

## Sensitivity adjustment

1. When the performance was unstable or it sound when the body with any metal, you should adjust the sensitivity, which is due to the distance detection range less than the specified or due to the sensitivity is too high.

2. A font with a small screwdriver into the probe handle hole, slowly rotate clockwise until the alarm stops, and then rotate one and a half, until the sensitivity of the ideal state

## Notes

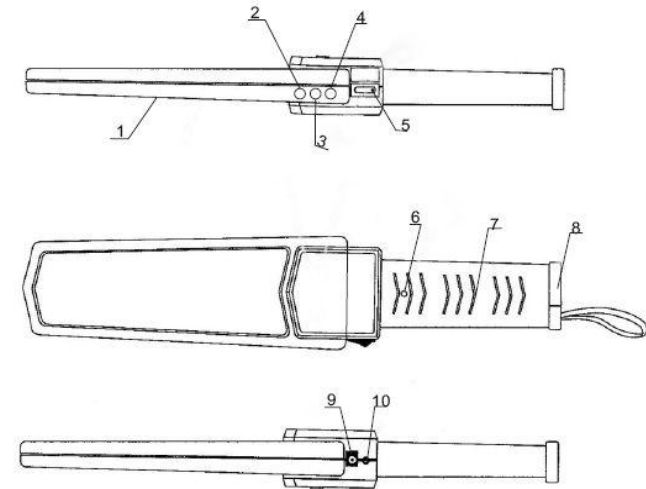
1. When stop using, turn off the power
2. If long stop using the detector, remove the battery.
3. When the target is too small, the detector stops moving, it will produce no sound. Only moving object in the detection probe (or target volume is large, will produce alarm.)
4. When charging the battery, turn off the power switch (5)
5. Voltage: 9V battery, charge the charger with a random distribution.

## Highly sensitive hand-held metal detectors

### Operating Manual

### Model: MCD-140

### Product structure



1. Detection zone
- 2.the alarm indicator(red)
- 3.low voltage indication (yellow)
- 4、 the power indicator (green)
- 5.the power switch
- 6.the sensitivity adjustment holes (under the holster )
- 7.the handle
- 8.the battery cover
- 9.charge / headphone jack
- 10.the sound and light alarm and vibration alarm switch

## Application:

1. The metal detector suitable for airports, stations, terminals and other security checks.
2. Applicable to the customs, public security, frontier defense, and safety inspection authority
3. Of medicine and food quality testing.
4. To the prison address and other important places of safety checks
5. Check for precious metals, such as: gold and silver jewelry manufacturers

## Detecting distance:

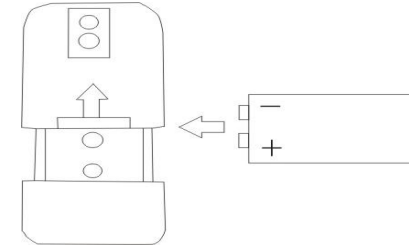
1. clip 30-60mm
2. Model 64 dagger 150mm
3. 6 inches long knife 160mm
4. 1 yuan coin 90mm

## Features:

1. High sensitivity
2. Easy to operate
3. Detection range is stability, not with the battery consumption and reduce detection range.
4. Low power consumption ,40 hours of continuous operation
5. When voltage is below 7V, the low voltage indicator lights.
6. Sound of light and vibration alarm capabilities

7. With charging port and headphone outputs
8. With sound and vibration alarm switch

## Replace the batteries installed



1. With the thumb mark under the direction of the battery cover open the battery cover
2. According to the positive and negative signs on the battery cover to install 6F22 (9 V) battery
3. Tightly battery cover

## Use

1. Switch to the sound alarm, turn on the power switch (5), there will appear a self-sound, at the same time the green LED light appears, show the power is connect. If the light is not lit,it show no battery, or battery is not installed, if the continuous sound, the yellow light, it is low voltage, replace the battery.
2. When connect power, the sound stopped, the detector can start working. Hold the handle of the detection,ues surface of the detector to detect objects. When metal is detected, the detector will alarm, at the same time the red LED lights lit. When the probe is stopped, the alarm stops and the red LED light goes out.